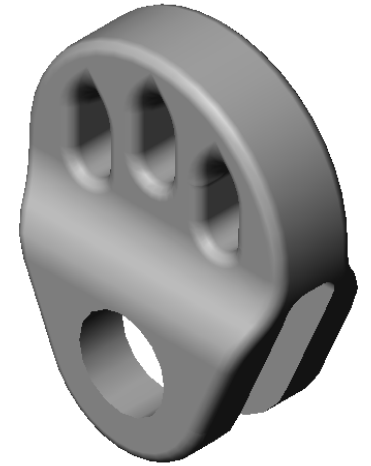
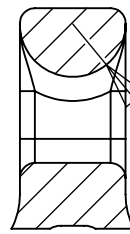
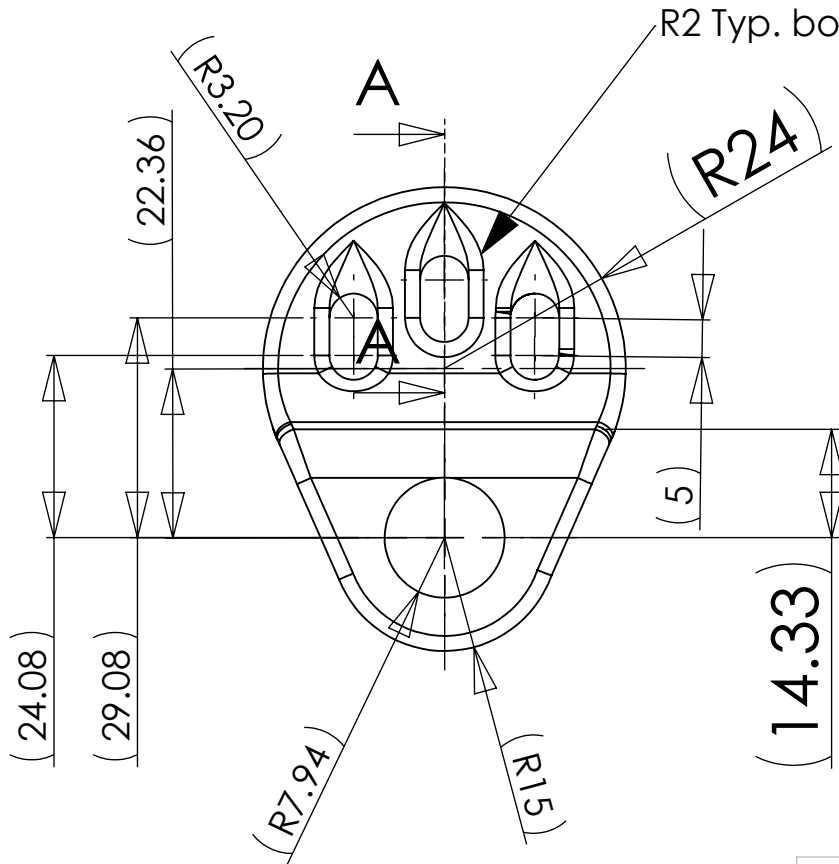


Material to be 6061-T6  
Aluminum minimum  
40,000 psi Yield Strength.

Finish to be Polished, then hardcoat  
anodized, type III in Black. Long Soak time  
for best UV Protection.

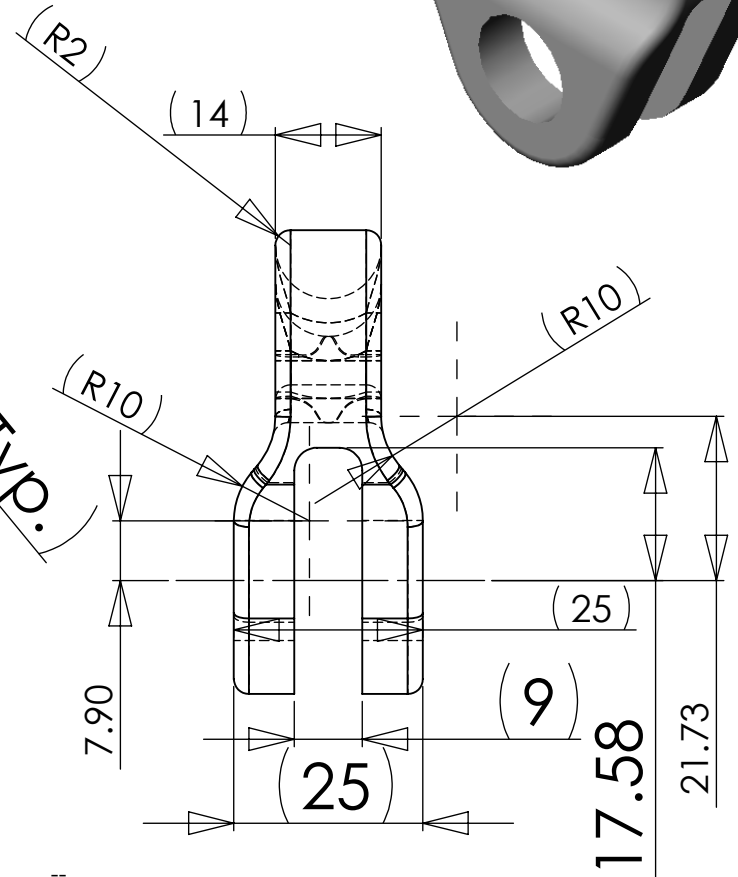


All external edges R2



A-A

(R7 TYP.)



**PROPRIETARY AND CONFIDENTIAL**

THE INFORMATION CONTAINED IN THIS  
DRAWING IS THE SOLE PROPERTY OF  
COLLIGO ENGINEERING AND DESIGN, LLC.  
ANY REPRODUCTION IN PART OR AS A WHOLE  
WITHOUT THE WRITTEN PERMISSION OF  
<INSERT COMPANY NAME HERE> IS  
PROHIBITED.

		DIMENSIONS ARE IN mm TOLERANCES: Decimal +/- 0.05mm .xx +/- 0.025		NAME	DATE	Colligo Marine, LLC		
				DRAWN	JEFranta5/16/10			
				CHECKED				
				ENG APPR.				
				MFG APPR.				
		MATERIAL		Q.A.		Chainplate Deadeye 5_7		
		Alum 6061-T6		COMMENTS:				
NEXT ASSY	USED ON	FINISH				SIZE	DWG. NO.	REV.
		Polished				<b>A</b>	CHD 5_7 1.1	
APPLICATION		DO NOT SCALE DRAWING				SCALE:1:1	WEIGHT:	SHEET 1 OF 1