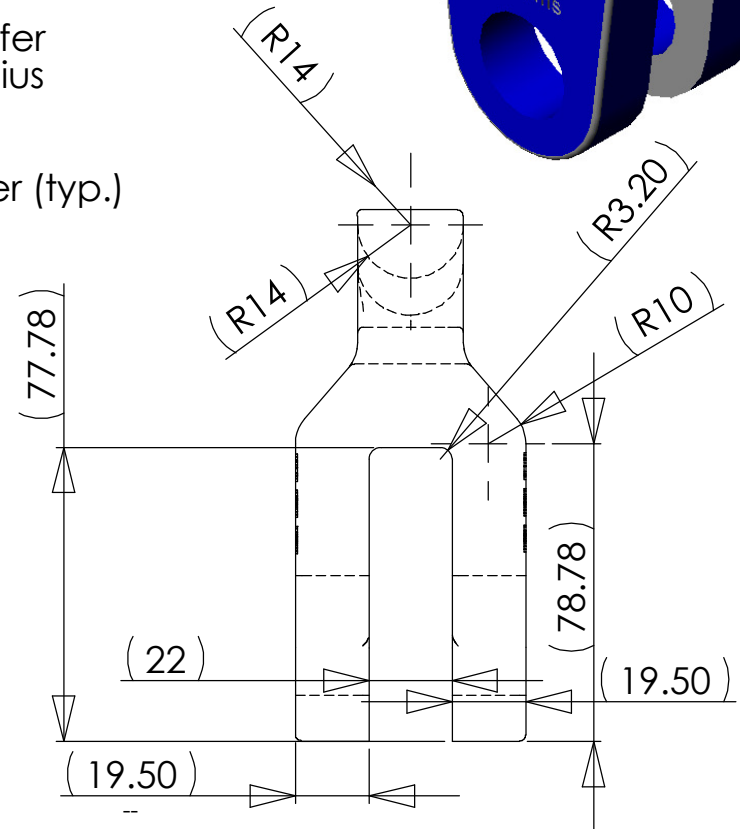


Text to be machined on part in location shown "Colligo Synthetic Systems", in Arial font. Both Sides.

Finish: Polished, Hardcoat Anodized per MIL-A-8625 Type III, Black

1.6 mm R Chamfer on this outer radius required

1.6mm R chamfer (typ.)



PROPRIETARY AND CONFIDENTIAL
 THE INFORMATION CONTAINED IN THIS DRAWING IS THE SOLE PROPERTY OF COLLIGO ENGINEERING AND DESIGN, LLC. ANY REPRODUCTION IN PART OR AS A WHOLE WITHOUT THE WRITTEN PERMISSION OF <INSERT COMPANY NAME HERE> IS PROHIBITED.

		DIMENSIONS ARE IN mm TOLERANCES: Decimal +/- 0.05mm xx +/- 0.05		NAME	DATE	Colligo Marine, LLC
				DRAWN	JEFranta	
				CHECKED		
				ENG APPR.		
				MFG APPR.		
				Q.A.		
				COMMENTS:		15_17 Distributor
NEXT ASSY	USED ON	MATERIAL Alum 6061-T6				
APPLICATION		FINISH See Note				SIZE A
		DO NOT SCALE DRAWING				DWG. NO. 15-17 CHD 1.3
						REV.
				SCALE:1:2		WEIGHT:
						SHEET 1 OF 1